

LED R65 LOW PROFILE BEACONS (LPB Range)



The LPB Range features a low profile polycarbonate lens with a robust aluminium base and 12 x 3W high performance LEDs that can operate in three flash patterns including simulated rotating.

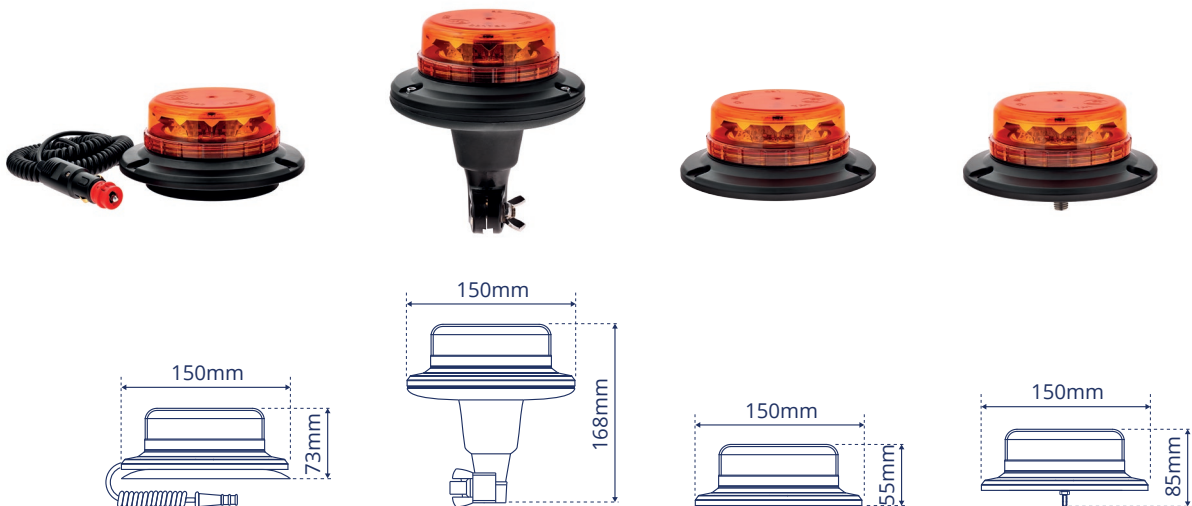


Main Features

- Dual Voltage (12/24V)
- 70mph rated on magnetic version
- IP56 rated ingress protection
- Double flash & rotating patterns meet R65 (amber and clear models only)
- Current consumption: 1.8A @ 12V / 24V
- -30°C to +50°C extreme temperature reliability
- Clear lens model – amber flash LEDs



Lens Colours Available



Part No.	LPB020	LPB040	LPB050	LPB060
Fitting	Magnetic	Flexi DIN	3 Point	Single Point
Weight	0.7KG	0.8KG	0.5KG	0.5KG