



Quality & Reliability  
Guaranteed

# BRAND NEW! LSB LED BEACON



**LSB050 (3-Point Fixing)**



**LSB020 (Magnetic)**

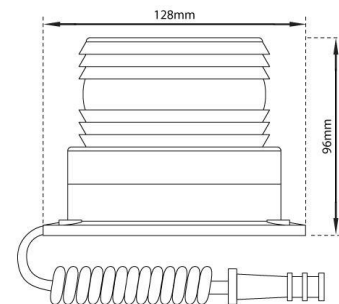
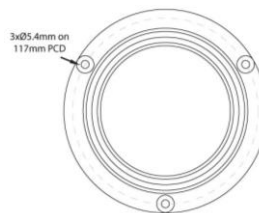
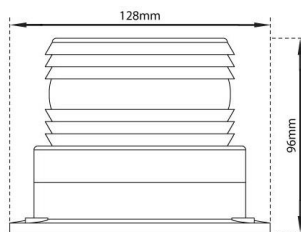


The **LSB** beacon from LAP Electrical is the **brand new** addition to the LED beacon range.

This small, dual voltage (**12/24V**) product is supplied with 2 flash patterns: rotating (default) and quad flash.

With **ECE R10 approval** and **1 year guarantee**, the economical LSB beacon is an ideal product for road, plant and agricultural vehicles.

The LSB is manufactured with 40 x ultra-bright SMD LEDs and is available with **magnetic base** and **3-point fixing** (PCD 117mm).



Refuse  
Trucks



Utility  
Vehicles



Plant &  
Contracting



Agriculture

For further information and order placement please contact our sales team:

**Brendan Priest – 07884 110 580**

**Sally Nixon – 0121 386 7377**

**Stewart Dowson – 0121 386 7379**

**Gary Richardson – 07724 830 184**

Or e-mail us at [enquiries@lapelec.co.uk](mailto:enquiries@lapelec.co.uk)



LAP Electrical Ltd.  
Old Walsall Road, Great Barr,  
Birmingham B42 1EA. U.K.  
Tel: +44 (0)121 357 4205  
Fax: +44 (0)121 358 0699  
[www.lapelec.co.uk](http://www.lapelec.co.uk)  
[enquiries@lapelec.co.uk](mailto:enquiries@lapelec.co.uk)