

**CE** Patent No. 2011 2 0288390.9



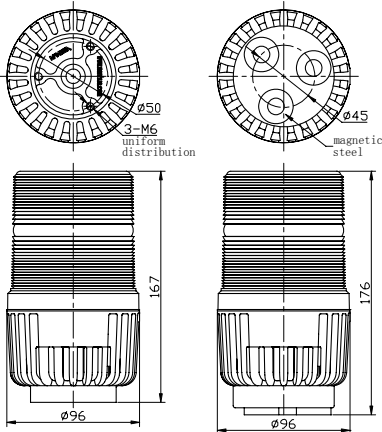
Common type

with magnetic

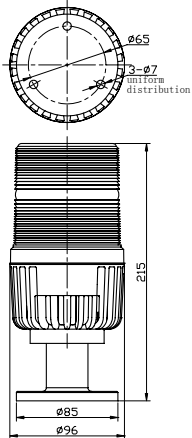


With flange

安装尺寸图 (单位: mm)



Common mounting Magnetic mounting



Flange mounting

**Applications**

Giving eye-catching audio visual alarms for mechanical engineering(overhead cranes, crawler crane and RTG etc), port machinery (gantry cranes and bridge cranes etc)

**Main functions and features**

- Compact size and light weight
- High brightness, alarm sound and selectable tones
- Continuous operation, reliability and stability
- Several tones, and wide applications
- PC housing, Fresnel Type design, high transmittance, anti-UV, anti-aging.
- Both xenon light tube and Led light tube are available.
- Several mounting styles for selections, such as screws fixing, magnetic fixing or flange type

**specifications**

Voltage	AC24V~AC240V/AC380V/DC12V/DC24V/DC48V(optical)	Frequency	50Hz~60Hz
Tone	A、B、D、E、Y	Power	10W
Color	Red、Yellow、Green ( optical )	Sound level	108dB~114dB
Alarm	Audio-visual alarm		
Ambient temperature	-30°C ~ +70°C	IP protection	IP65
Humidity	10% ~ 95% (no condensing )	Weight	0.5kg
Material	Body : PA6+GF30% , Housing : PC		

**Installation and Operation**

- Check whether the power supply complies with rated voltage of the siren
- Fix it onto the surface with 3pcs M6 bolts for the common mounting. Fix it onto the surface which has enough strength with 3pcs M6 bolts and nuts for the flange mounting. Directly fix it onto the surface of the magnetic metal which has enough magnetic force to avoid the coming off because of fierce shock or strong wind for magnetic mounting.
- For Giving emergency sound and alert light synchronously, please see the figure 1, connect the power cable to the corresponding terminals, power on and then the siren start to work.
- For Giving emergency sound and alert light separately, please see the figure 2, connect the power cable and control cable to the corresponding terminals, power on and then the siren start to work.

**Wiring diagram**

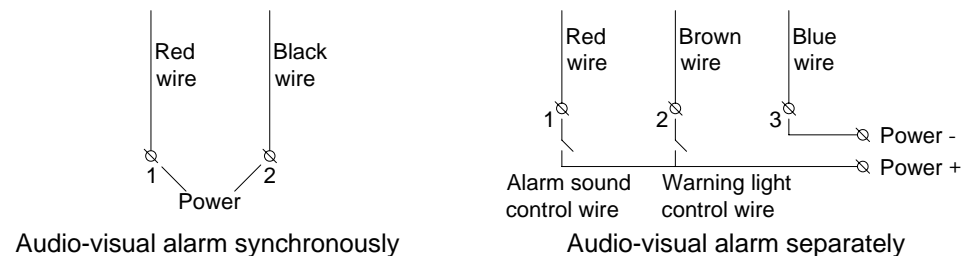


Figure 1

Figure 2

Application



**Model selection**

Model	Light source	Installation	Others
AL808U	Xenon	Common type	Tone is optional
AL809U	LED	Common type	Tone is optional
AL808F	Xenon	With Flange	Tone is optional
AL809F	LED	With Flange	Tone is optional
AL808C	Xenon	With Magnetic	Tone is optional
AL809C	LED	With Magnetic	Tone is optional

**Note:**

- If install this product outdoor, please do not water towards the speaker, he speaker need to towards ground
- Advise not to use magnetic mounting under the fiercely shocking situation.
- Please do not hesitate to contact us if any problem