

Electronic siren manual

CJB114



1 overview

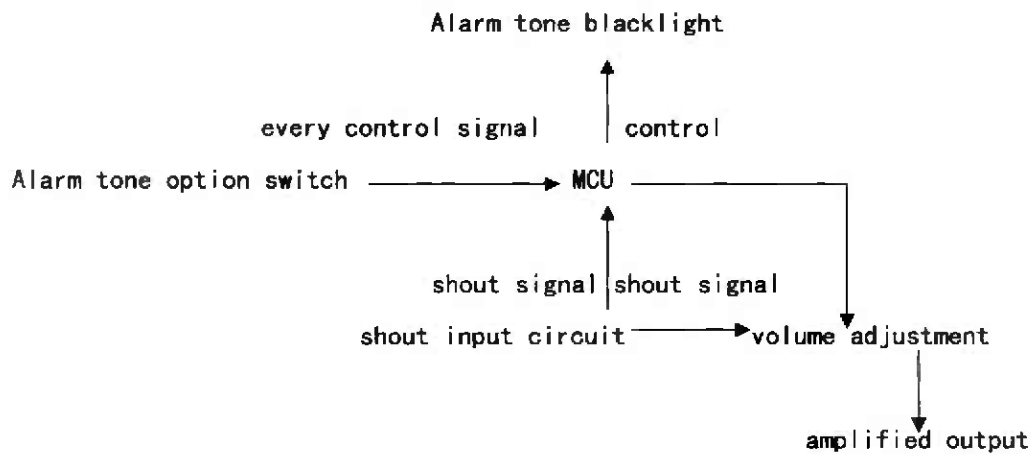
CJB114 is a classic edition siren of our company' s siren series. Its shape of elegant, panel designed novel, multiple functions, it has tones of Wail, Yelp, III-LO, Manual, Engineering, Air Horn, Siren etc and has function of amplifying voice. The volume of alarm sound and voice is adjustable at will. It can also control the alarm light directly, widely used in special vehicles including police cars, fire engines, traffic control cars, ambulance cars etc.

2 technical parameter

Model	CJB114		
Parameter			
Working voltage	DC 10.8V~13.8V		
Output power	100W		
Output impedance	8Ω		

Tone characteristic	Wail, Yelp, HI-LO, Manual, Engineering, Air Horn, Siren
horn	Handheld microphone with control switch
Overall size	190mm×155mm×58mm

3 working principle



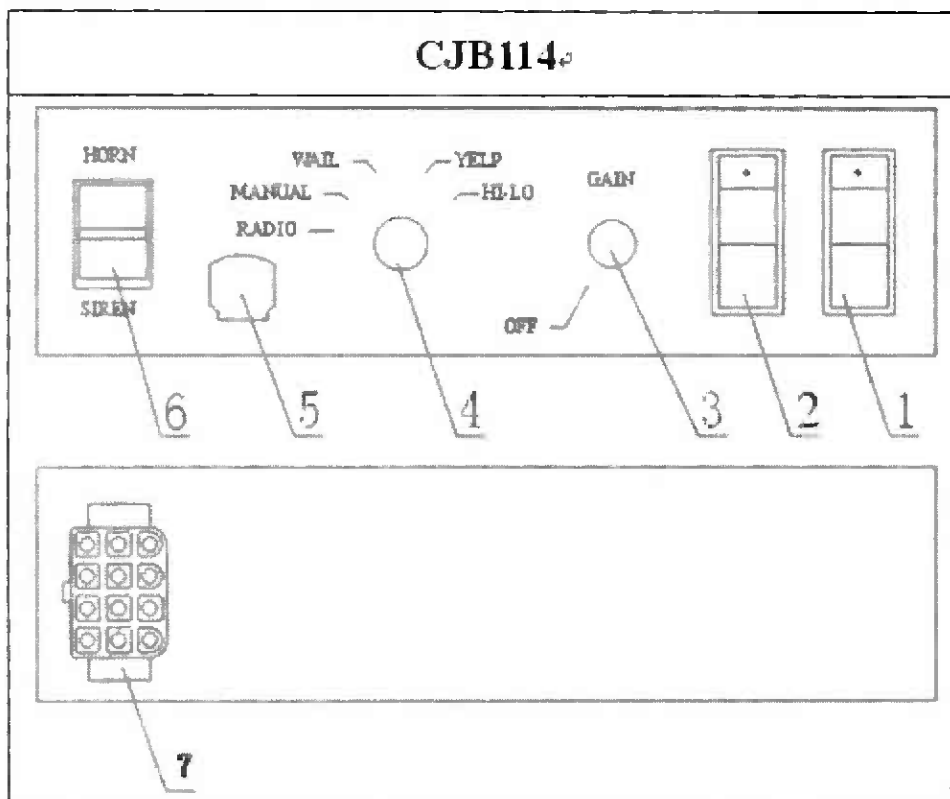
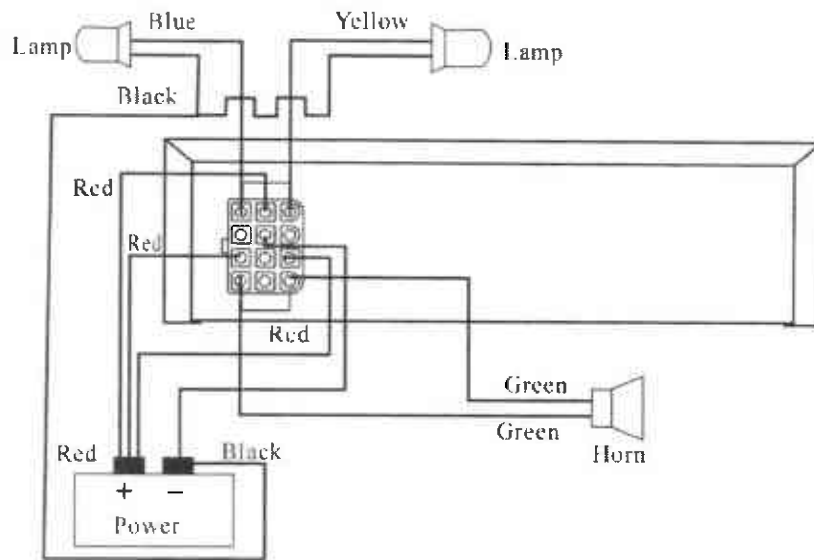
4 installation

4.1 Siren should be installed on the vented place where to disperse the heat easily

4.2 Wiring connection and installation the siren correctly as the hookup

5 Button name & function instruction

Wiring connection and installation:



1. light controller(1):it drive 10A positive output
2. light controller(2): it drive 10A positive output
3. With the volume switch:alarm power switch. Turn knob counterclockwise for power supply off; turn knob clockwise for power supply on, turn continuously is volume control

4. Automatic alarm kinds selection switch: turn the switch you can choose 4 different kinds tunes

5. microphone

6. manual alarm kinds selection switch: turn to the above position, it's air horn, turn to the below position, it's siren

7. plug wire

6 Operation instruction:

6.1 After check the connection is correct, turn No.3 "power switch with sound controller" by clockwise to the suitable rank what you need.

6.2 Automatic warning tone working mode

6.2.1 turn No.4 "warning tone changeover switch" to the suitable rank where you need.

6.2.2 adjust the No.3 "volume controller" to the suitable rank where you need.

6.2.3 turn off: contrarotate No.3 "volume controller" to the end.

6.3 Warning tone worked by manual mode: push No.6 "manual warning tone switch". upwards, it is horn, and downwards is for siren, free model is for replacement.

6.4 When you use the microphone amplifier to announce, you only need to press on the controlling switch at the side of microphone to connect the sound, turn on the No.3 "volume controller" to adjust the volume.

6.4 Warning light controller: Both "light controller 1" and "light controller 2" can drive 10A positive output, the voltage is the same as the supply voltage.

The two are controlled separately, they don't influence each other and are not controlled by the siren switch.

7 Failure analysis and elimination

7.1: if you can't turn on the siren, please check the protective tube

7.2: if the light control doesn't work, please check whether the protective tube of light control is in good condition

8 announcements

8.1: before you turn on the siren, please inform the stuff around to avoid being scared

8.2: siren can not be installed in the range of auto airbag

8.3: this product without the waterproof design, please installed in a dry ventilated place away from direct heat

8.4: Amateurs don't assemble or disassemble

9. Packing list

Model Name	CJB114		
Siren	Siren (including installation bracket and microphone)		
Connecting wire	1 set		
Standby fuse	15A 3 pcs		
Operation instruction	1 set		
parts	1 set		