



LAP
ELECTRICAL
LIMITED

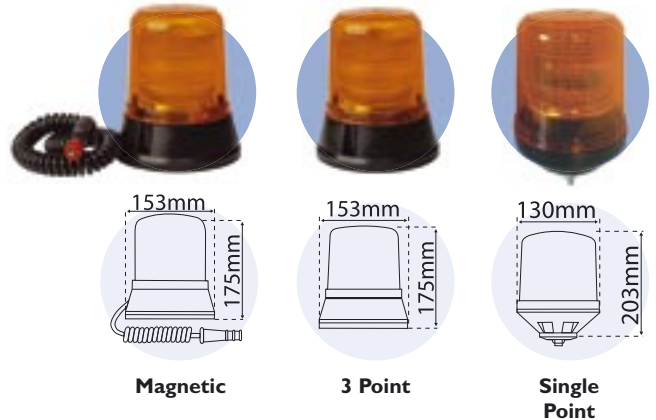
High Performance Specialist Beacon Range



NEW

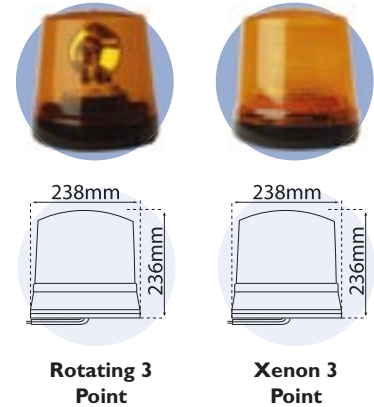
Static Airport beacons

- Conforms to CAP 168 regulations
- State of the art electronics
- Long peak intensity through 360° lens diffusion
- 80 flashes per minute
- 70mph rated on magnetic version



Giant beacons

- Available either rotating or high power xenon
- Designed for added visual impact
- ECE65 Approved performance
- EC95/54 EMC Approved
- Dual Voltage 12/24 (10-30Vdc)



Colours
Available



Feux de signalisation puissants
LAP garantit qualité et fiabilité!
Les gyrophares de notre gamme de produits standards convainquent par leur production de lumière élevée et leur visibilité maximale.



High Performance Rundumkennleuchten
LAP garantiert Qualität und Zuverlässigkeit!
Die Rundumkennleuchten unserer Standard-Productpalette überzeugen durch hohe Lichtausbeute und maximale Sichtbarkeit.



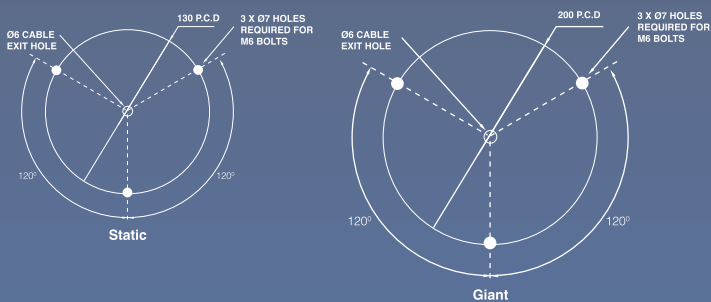
LAP Quality & Reliability Guaranteed

TECHNICAL SPECIFICATIONS

Part No	Voltage	Action Static	Colour	Current Consumption 12/24v	Flash Rate (Per min)	MOUNTING			Weight KG (Aprox)
						Three Point	Magnetic	Single Point	
LAP 221	12V	Sgl.FI.	Amber	1	75	*			0.62
LAP 222	24V	Sgl.FI.	Amber	0.5	75	*			0.62
LAP 223	12V	Sgl.FI.	Amber	1	75		*		1.17
LAP 224	24V	Sgl.FI.	Amber	0.5	75		*		1.17
LAP 225	12V	Sgl.FI.	Amber	1	75			*	0.85
LAP 226	24V	Sgl.FI.	Amber	0.5	75			*	0.85
Giant Xenon									
LAP 154	10-30V	Sgl./Dbl.FI.	Blue	2.4/1.2	125	*			1.75
LAP 155	10-30V	Sgl./Dbl.FI.	Amber	2.4/1.2	125	*			1.75
Giant Rotating									
LAP 152	12-24V	Rotating	Blue	4.6/3	180	*			1.75
LAP 153	12-24V	Rotating	Amber	4.6/3	180	*			1.75

CE = Certified to meet EMC Directives 95/54, 2002/2, 97/24 Ch8, and meets the requirements of 89/336 where appropriate. ECE Approval is appropriate to rotating and xenon beacons with either an Amber or Blue lens fitted (does not apply to static beacon).

Fitting Diagrams



Enquiries

LAP welcome enquiries from other beacon producers requiring own branded product. We are also happy to advise on our design and manufacturing facilities.



LAP ELECTRICAL LIMITED

Old Walsall Road • Great Barr • Birmingham • England • B42 1EA
 Telephone: +44 (0)121 357 4205 Facsimile: +44 (0)121 358 0699
 Web: www.lapelec.co.uk Email: enquiries@lapelec.co.uk

Materials

- High performance plastic ABS base
- Non-fading acrylic
- Polycarbonate lenses

Warranty

LAP offer a 12 month or 2000 hour guarantee on all our products, subject to the item being fitted and used in accordance with the correct instructions.

Any problems caused by misuse or negligence will not be covered under the LAP guarantee.

LAP will in all circumstances only offer to replace faulty product should failure occur.

Distributor details - Vertiebshandler - Détails de distributeurs