

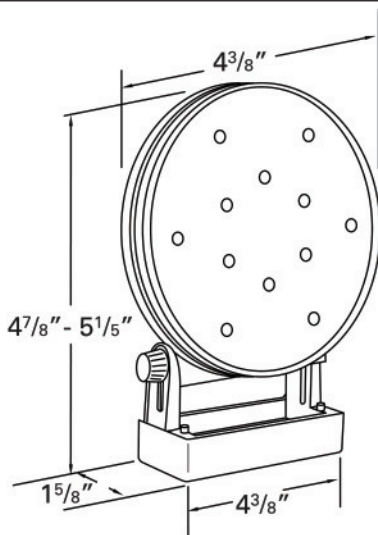
Directional Portable **LED** Battery Operated Warning Light

Product Data Sheet

February 2008

Product Features and Benefits:

- Push button operation
- 72 hours of operation on 2 'AA' batteries (not included)
- Includes a magnetic base and adjusts 180°
- Clip attached for mounting on visor, belt or traffic cone
- Reflective lens for additional safety in any application
- 3 user-selectable patterns



77923 - Yellow

Material: Nylon/Polycarbonate

Finish: Yellow/Red

Part Number	Market	Light Source	Operating Voltage	Interchange
77923	Construction/Utility/Agriculture/Emergency	LED	2 x AA Cell	NA

Grote
The first name in
vehicle safety systems®

2600 Lanier Drive Madison, Indiana U.S.A 47250-0550
U.S. 800.628.0809 Canada 800.268.5612

www.grote.com